

Technology

- TSMC 0u13 G
- 1.2V supply (D)
- Temp range: -40 .. 125°C
- No external components

Deliverables

- GDSII
- Abstract (LEF)
- CDL netlist for LVS
- .lib
- Verilog
- Documentation
- Integration guidelines

Status

- Silicon proven

ICS111-OSC-T0u13G is a X-less multi-frequency oscillator (50MHz to 80 MHz)

Differentiation

The ICS111-OSC-T0u13G is a Multi Frequency Oscillator with frequency outputs 50MHz, 60MHz, 72MHz and 80MHz within the range of +/- 6.25% with trimming or +/- 20.7% without trimming. No external components are required. The oscillator operates in a voltage range of 1.2V +/- 10% and is qualified over a broad temperature range of -40°C to 125°C.

The oscillator has excellent nominal duty cycle specifications (50% +/- 9.7%). The current consumption is only 69uA to 98.6uA (for respectively 50MHz to 80 MHz).

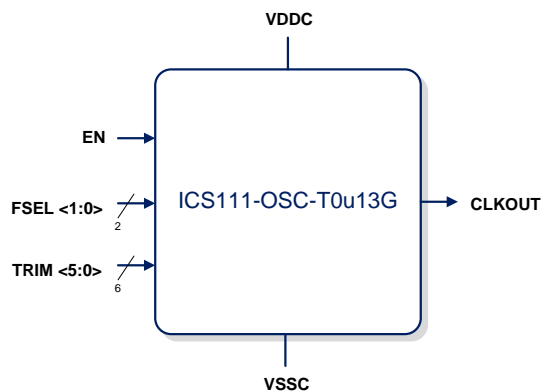
The IP is silicon proven and in production.

Overview

This multi-frequency X-less oscillator is designed to reduce time-to-market, risk and costs in developing analog circuits. The oscillator is implemented in a standard 0u13 CMOS TSMC process. Following output frequencies are user selectable (2-bit word):

- 50 MHz
- 60 MHz
- 72 MHz
- 80 MHz

A trimming word allows to trim the offset on CLK_OUT using a one-point calibration at 25°C to obtain a +/-4.9% accuracy over all process corners.



Applications

- Battery powered systems
- Data communications systems
- Data Acquisition systems

Our service and support

Our service models include:

- Single-use, multi-use, one-time buy-off licensing models for our IP-cores
- Customization or porting of IP-cores to the customers target technology
- Custom development of analog, mixed-signal and high-voltage IP-cores
- Custom ASIC turnkey solutions

In all of these models, we are committed to provide pro-active support from idea to product. We always work closely together with our customers to come to the most optimal solutions for their systems.

About ICsense

ICsense is an ISO 9001:2000 certified IC design house offering analog, mixed-signal and high-voltage IC design services and ASIC turnkey solutions for the automotive, medical, industrial and consumer market.

ICsense provides best-in-class IC design from consultancy and building block/IP design up to complete mixed-signal ASICs or SoCs. Our philosophy is to deliver highly complex, innovative circuits at minimal risks through engineering excellence and close cooperation with our customers. ICsense proudly partners with Sofics and Easics for SoC solutions.

More information on www.icsense.com

Contact

ICsense® NV
Gaston Geenslaan 9 - 3001 Leuven - Belgium
Tel: +32(0)16 589 700
Fax: +32(0)16 589 720
Email: sales@icsense.com